

HF C200-03

dc power packs for the use with external valves



**exported to more than 20 countries,
- world wide! -**

HF C200 series

Hydraulfunktion has more than 20 year successfully manufactured and constantly improved box type dc power packs. Based on our experience we have developed C200 series as new product line.

C200 is a modular series which covers the most typical applications in the vehicle building and material handling industry.

HF C200-03

dc power packs for the use with external valves



HF C200-03

power packs for the use with external valves

features:

manifold block: C200-03
dc motors: 2kW – 3kW (12V, 24V, 48V)
gear pumps: group 1 (0,85ccm – 4,3ccm)
tanks: plastic tanks (5L, 6L, 8L, 12L)

dc motors:

- 2kW 12V, 24V, 48V
- 3kW 12V, 24V
- 3kW with fan 12V, 24V, 48V
- 4kW with fan 24V

gear pumps:

- 0,85ccm nominal pressure: 250bar
- 1,2ccm max. pressure: 280bar
- 1,7ccm pressure peaks: 300bar
- 2,6ccm
- 3,2ccm
- 4,3ccm

other pump displacements and pressure ratings available on request

tanks:

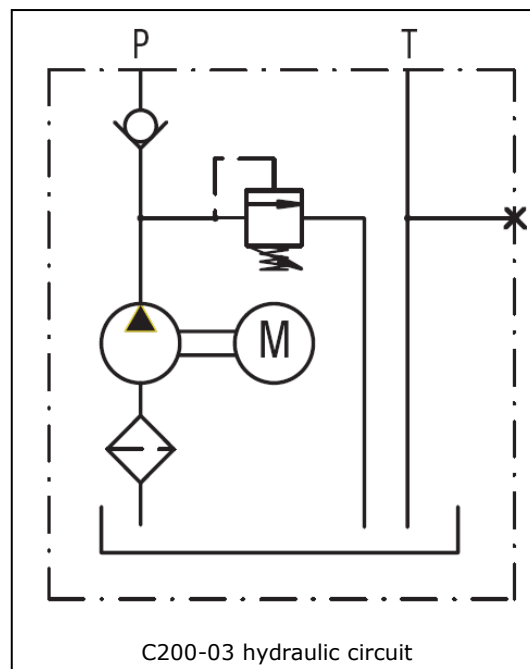
plastic tanks usable for vertical and horizontal mounting

nominal	horizontal*	vertical*
5 L	5,5 L	5,9 L
6 L	7,1 L	6,5 L
8 L	9,9 L	8,7 L
12 L	12,7 L	11,2 L

*usable oil volumes

Special customer requirements

If you have any special requests, please contact our sales department. We are dedicated to find a solution that fulfils your needs. If possible we can develop components according to your specifications.



connection threads:

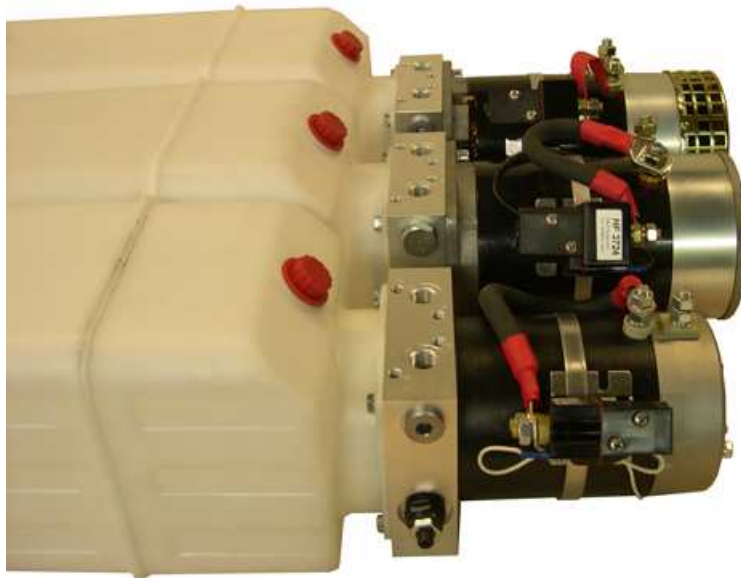
P = G 3/8"

T = G 3/8"

HF C200-03

dc power packs for the use with external valves

Typical applications:



HF C200-03 power packs

Used in combination with external valves. HF C200-03 is source of hydraulic power for:

- manually operated directional valves
- Specially designed manifold blocks
- distributed valve systems where space is limited.

HF C200-03 power packs

HF C200-03 power packs are a simple source of "hydraulic power". They integrate an adjustable pressure relief valve and a check valve.

The idea is to use HF C200-03 in combination with external valves. These external valves can for example be a specially designed manifold block, or manually operated directional valves.

HF C200-03 can also be used in situations where space is limited and hydraulic valve functions have to be distributed to places on the vehicle where space for mounting is available.

HF C200-03

dc power packs for the use with external valves



Examples:



24C20-03-3F-43-8P

dc motor: 3kW (24V) with fan
gear pump: 4,3ccm /rev
oil tank: 8 Liter (usable vol. 9,9 L)



12C20-03-30-26-6P

dc motor: 3kW (12V)
gear pump: 2,6ccm /rev
oil tank: 6 Liter (usable vol. 7,1 L)



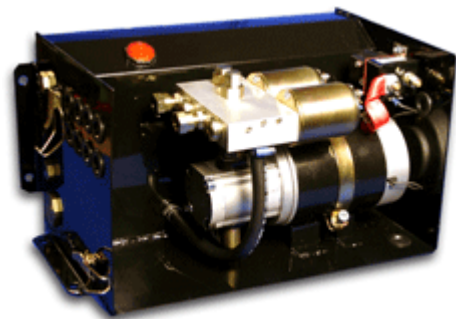
24C20-03-20-17-5P

dc motor: 2kW (24V)
gear pump: 1,7ccm /rev
oil tank: 5 Liter (usable vol. 5,5 L)

Other HF products

HYDRAULFUNKTION is manufacturing dc hydraulic power pack and hydraulic components. This includes 3 main product groups

Dc box power packs



Dc compact power packs



Dc motor-pump units





What does HYDRAULFUNKTION stand for?

HYDRAULFUNKTION is dedicated to customer satisfaction. Our goal is to offer our customers

- good service
- good quality products
- a fair price even at low quantities
- the best technical support

HYDRAULFUNKTION is specialized in the production of small and medium size series. We want to give small companies in the vehicle building industry access to products, services and PRICES that are common in the high volume OEM markets.

We know, that small manufacturers in the vehicle building and material handling industry are doing a wonderful job; innovative and flexible. We want to support this type of company.

If you have any ideas, questions or problems, please don't hesitate to contact HYDRAULFUNKTION AB.



Impress

General:

This catalogue has been written with greatest concerns. Still it can contain errors and mistakes. For errors and mistakes the author can nor be made legally liable.

Layout and content: Hydraulfunktion GmbH

Version: 09.0707

Publishing date: 07. July 2009

HF
power packs

For mobile hydraulics

Contact

Hydraulfunktion AB Production / Supplier

Kungsgatan 67
(S) 341 32 Ljungby
Sweden

Tel: +46 (0)372 - 15840

Fax: +46 (0)372 - 15843

Email: hf@hydraulfunktion.se