

HF dc motor pump units

dc motor pump units for hydraulic applications



**exported to more than 20 countries,
- world wide! -**

HF dc motor pump units

Hydraulfunktion can offer a complete range of dc power hydraulic motor pump units. HF electro-hydraulic pumps are used for lifting and steering applications, as well as for auxiliary or emergency hydraulic power source.

HF dc motor pump units

dc motor pump units for hydraulic applications

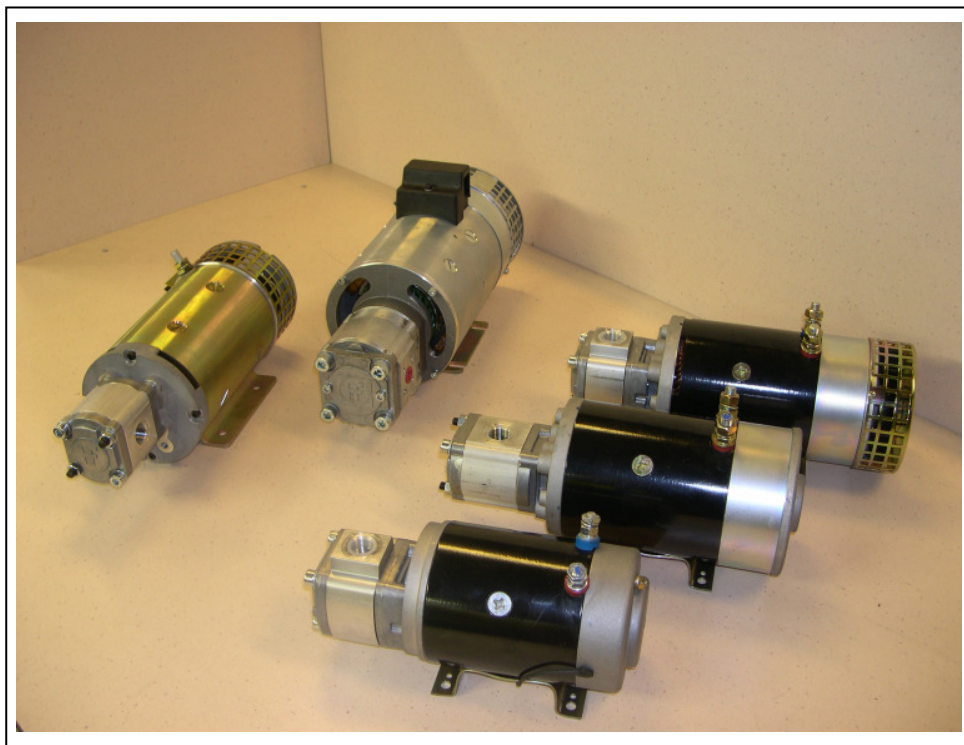


EHP product families

HF electro hydraulic pumps (EHP) are available in 2 product families.

According to common industry standards we are manufacturing:

- HF series (Hesselman 2 bolt flange)
- German legacy series
 - 40x40mm (Bosch B-flange)
 - 60x60mm (Bosch F-flange)



HF electro hydraulic pumps

HF dc motor pump units

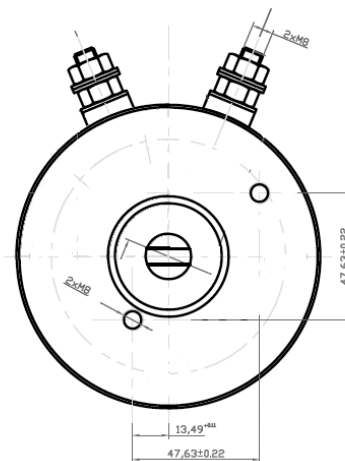
dc motor pump units for hydraulic applications



HF series

Available electro-hydraulic pumps (12V 24V 48V):

- 1012-Vg:** 2,0kW (12V) dc motor pump-unit
- 1024-Vg:** 2,0kW (24V) dc motor pump-unit
- 1048-Vg:** 2,0kW (48V) dc motor pump-unit
- 1312-Vg:** 2,5kW (12V) dc motor pump-unit fan cooled
- 1324-Vg:** 2,5kW (24V) dc motor pump-unit fan cooled
- 1112-Vg:** 3,0kW (12V) dc motor pump-unit
- 1124-Vg:** 3,0kW (24V) dc motor pump-unit
- 1612-Vg:** 3,0kW (12V) dc motor pump-unit fan cooled
- 1624-Vg:** 3,0kW (24V) dc motor pump-unit fan cooled
- 1648-Vg:** 3,0kW (48V) dc motor pump-unit fan cooled
- 1724-Vg:** 4,0kW (24V) dc motor pump-unit fan cooled



Available pumps (code = Vg):

- 2108: gear pump 0,85ccm
- 2117: gear pump 1,7 ccm
- 2126: gear pump 2,6 ccm
- 2132: gear pump 3,2 ccm
- 2143: gear pump 4,3 ccm
- 2150: gear pump 5,0 ccm

Available options:

- B Motor bracket
- SW start switch mounted

Order code example:

- 1624-4,3-SW-B
- dc motor pump unit 3kW (24V)
- gear pump 4,3ccm
- start switch assembled

HF dc motor pump units

dc motor pump units for hydraulic applications



German legacy series

40x40mm Bosch B-flange

Available electro-hydraulic pumps (12V 24V):

1554-Vg: 1,5kW (12V) dc motor pump-unit

1558-Vg: 2,0kW (24V) dc motor pump-unit

Available pumps (code = Vg):

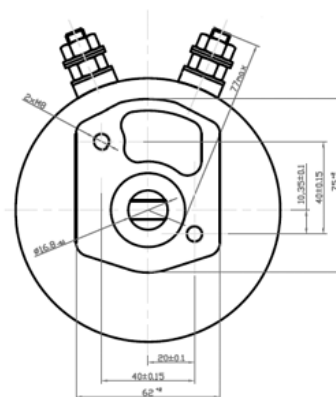
2612: gear pump 1,2 ccm

2617: gear pump 1,7 ccm

2622: gear pump 2,2 ccm

2626: gear pump 2,6 ccm

2632: gear pump 3,2 ccm



60x60mm Bosch F-flange

1412-Vg: 1,5kW (12V) dc motor pump-unit

1424-Vg: 2,0kW (24V) dc motor pump-unit

1845-Vg: 4,5kW (24V) dc motor pump-unit

Available pumps (code = Vg):

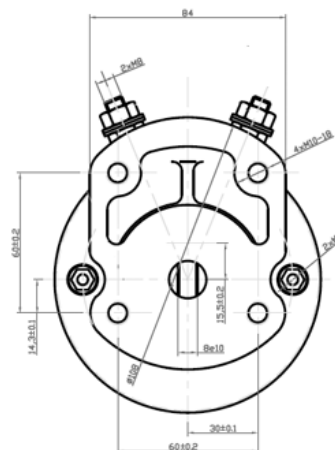
2240: gear pump 4,0 ccm

2245: gear pump 4,5 ccm

2255: gear pump 5,5 ccm

2263: gear pump 6,3 ccm

2282: gear pump 8,2 ccm



HF dc motor pump units

dc motor pump units for hydraulic applications



2kW (12V 24V 48V) Ø112mm

HF 1012-Vg

Motor: 2,0kW (12V)

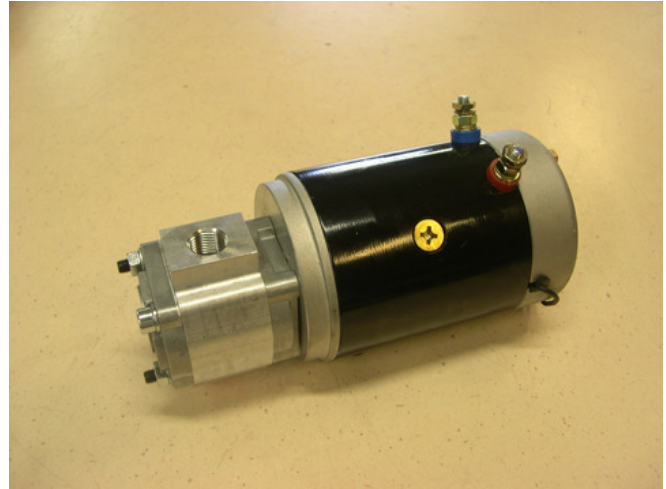
HF 1024-Vg

Motor: 2,0kW (24V)

HF 1048-Vg

Motor: 2,0kW (48V)

Pumps:
Vg = 0,85ccm
Vg = 1,7 ccm
Vg = 2,6 ccm
Vg = 3,2 ccm
Vg = 4,3 ccm
Vg = 5,0 ccm



2,5kW (12V 24V) Ø112mm with fan

HF 1312-Vg

Motor: 2,5kW (12V) with fan

HF 1324-Vg

Motor: 2,5kW (24V) with fan

Pumps:
Vg = 0,85ccm
Vg = 1,7 ccm
Vg = 2,6 ccm
Vg = 3,2 ccm
Vg = 4,3 ccm
Vg = 5,0 ccm



HF dc motor pump units

dc motor pump units for hydraulic applications



3kW (12V 24V) Ø125mm

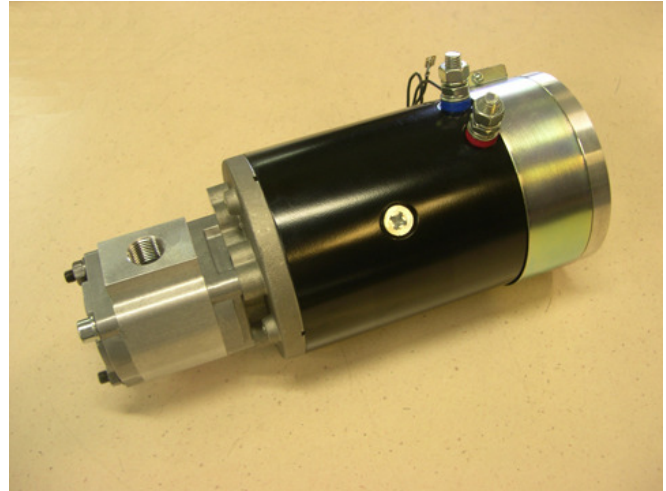
HF 1112-Vg

Motor: 3,0kW (12V)

HF 1124-Vg

Motor: 3,0kW (24V)

Pumps:
Vg = 0,85ccm
Vg = 1,7 ccm
Vg = 2,6 ccm
Vg = 3,2 ccm
Vg = 4,3 ccm
Vg = 5,0 ccm



3kW (12V 24V) Ø125mm with fan

HF 1612-Vg

Motor: 3,0kW (12V) with fan

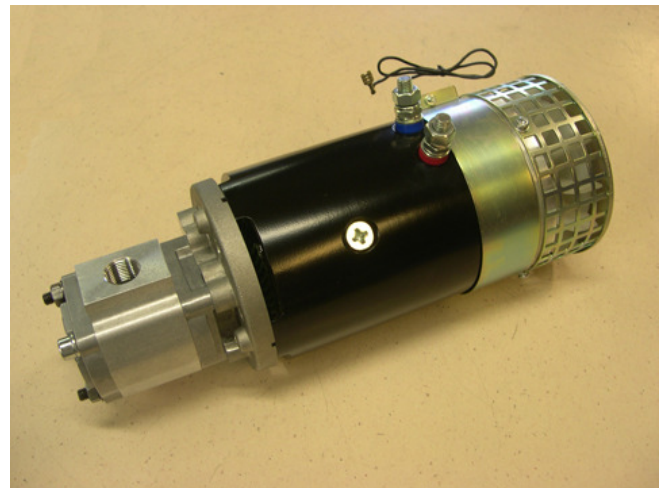
HF 1624-Vg

Motor: 3,0kW (24V) with fan

HF 1648-Vg

Motor: 3,0kW (48V) with fan

Pumps:
Vg = 0,85ccm
Vg = 1,7 ccm
Vg = 2,6 ccm
Vg = 3,2 ccm
Vg = 4,3 ccm
Vg = 5,0 ccm



HF dc motor pump units

dc motor pump units for hydraulic applications



4kW (24V 48V) Ø134mm with fan

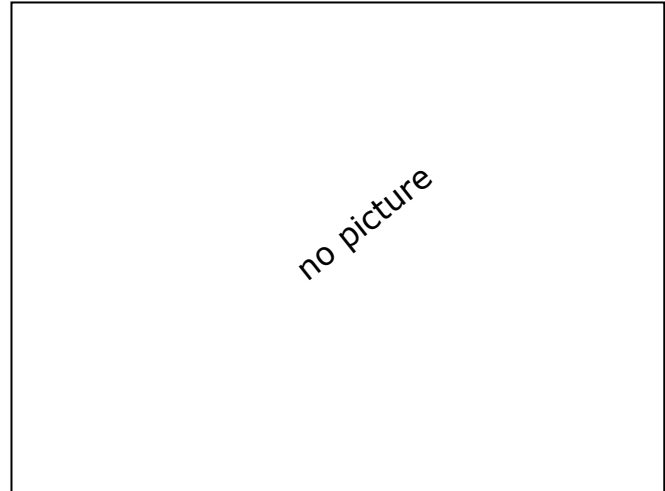
HF 1724-Vg

Motor: 4,0kW (24V)

HF 1748-Vg

Motor: 4,0kW (48V)

Pumps: Vg = 0,85ccm
Vg = 1,7 ccm
Vg = 2,6 ccm
Vg = 3,2 ccm
Vg = 4,3 ccm
Vg = 5,0 ccm



HF dc motor pump units

dc motor pump units for hydraulic applications



2kW (12V 24V) Ø112mm

HF 1554-Vg

Motor: 1,5kW (12V)

HF 1558-Vg

Motor: 2,0kW (24V)

Pumps: Vg = 1,2 ccm
Vg = 1,7 ccm
Vg = 2,2 ccm
Vg = 2,6 ccm
Vg = 3,2 ccm

non standard product
minimum order quantity applies



2kW (12V 24V) Ø112mm

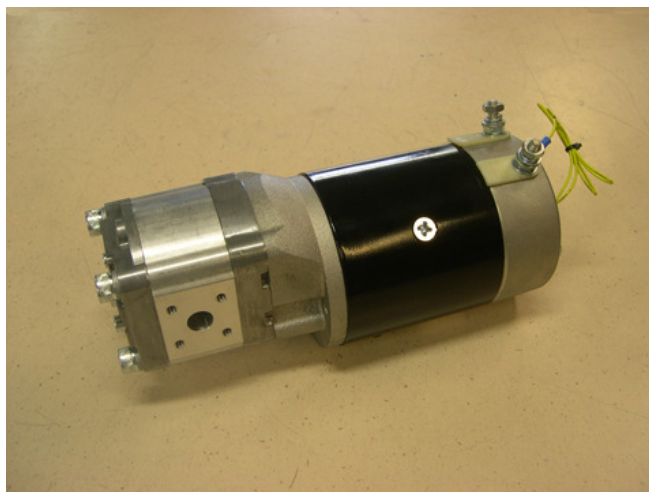
HF 1412-Vg

Motor: 1,5kW (12V)

HF 1424-Vg

Motor: 2,0kW (24V)

Pumps: Vg = 4,0 ccm
Vg = 4,5 ccm
Vg = 5,5 ccm
Vg = 6,3 ccm
Vg = 8,2 ccm



HF dc motor pump units

dc motor pump units for hydraulic applications



4,5kW (24V) Ø150mm with fan

HF 1845-Vg

Motor: 4,5kW (24V)

Pumps: Vg = 4,0 ccm
Vg = 4,5 ccm
Vg = 5,5 ccm
Vg = 6,3 ccm
Vg = 8,2 ccm

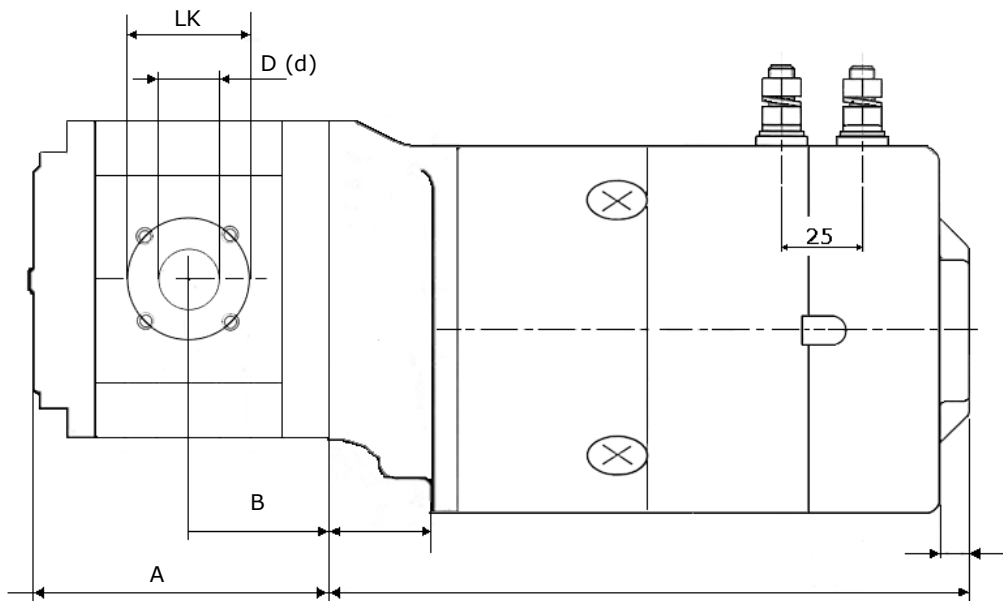


HF dc motor pump units

dc motor pump units for hydraulic applications



1424-Vg: 2kW (24V) dc motor pump-unit



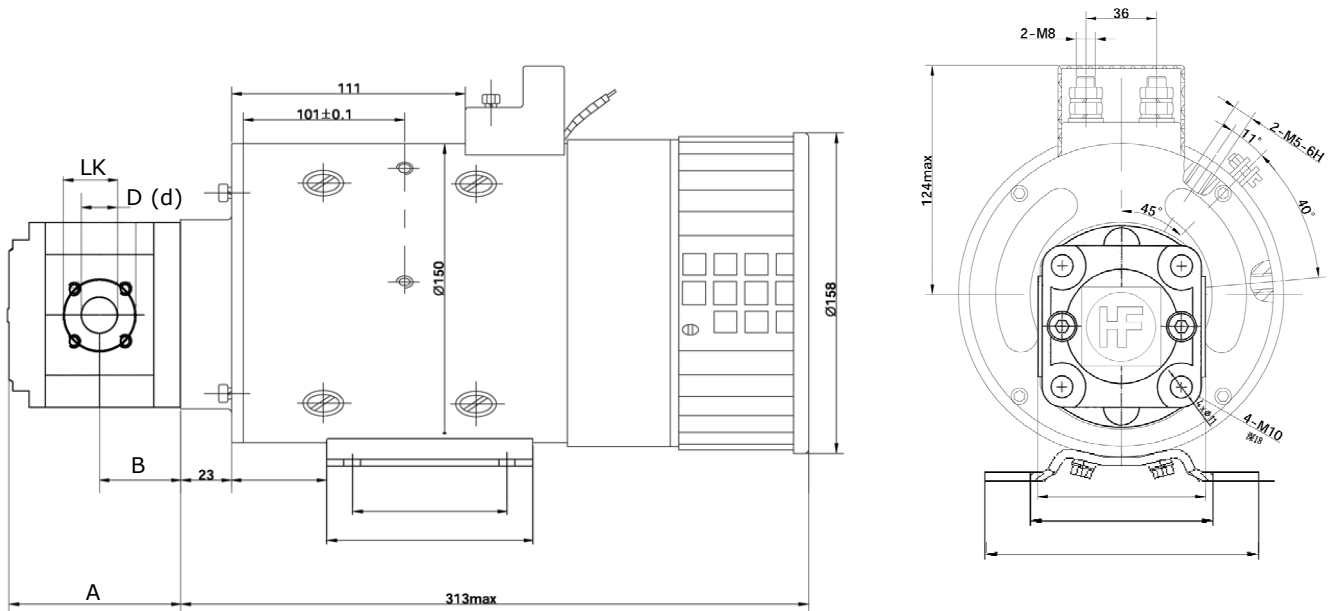
Power	Voltage	Pump	A	B	Inlet		Outlet		art.-nr.:
					LK	D	LK	d	
2,0kW	24V	4,0ccm/rev.	82,7mm	22,4mm	40mm	15mm	35mm	12mm	1424-4,0
2,0kW	24V	4,5ccm/rev.	42,6mm	22,8mm	40mm	15mm	35mm	12mm	1424-4,5
2,0kW	24V	5,5ccm/rev.	85,2mm	23,6mm	40mm	15mm	35mm	12mm	1424-5,5
2,0kW	24V	6,3ccm/rev.	86,6mm	24,3mm	40mm	15mm	35mm	12mm	1424-6,3
2,0kW	24V	8,2ccm/rev.	89,7mm	25,9mm	40mm	20mm	35mm	15mm	1424-8,2

HF dc motor pump units

dc motor pump units for hydraulic applications



1845-Vg: 4,5kW (24V) dc motor pump-unit



Power	Voltage	Pump	A	B	Inlet		Outlet		art.-nr.:
					LK	D	LK	d	
4,5kW	24V	4,0ccm/rev.	82,7mm	22,4mm	40mm	15mm	35mm	12mm	1845-4,0
4,5kW	24V	4,5ccm/rev.	42,6mm	22,8mm	40mm	15mm	35mm	12mm	1845-4,5
4,5kW	24V	5,5ccm/rev.	85,2mm	23,6mm	40mm	15mm	35mm	12mm	1845-5,5
4,5kW	24V	6,3ccm/rev.	86,6mm	24,3mm	40mm	15mm	35mm	12mm	1845-6,3
4,5kW	24V	8,2ccm/rev.	89,7mm	25,9mm	40mm	20mm	35mm	15mm	1845-8,2



What does HYDRAULFUNKTION stand for?

HYDRAULFUNKTION is dedicated to customer satisfaction. Our goal is to offer our customers

- good service
- good quality products
- a fair price even at low quantities
- the best technical support

HYDRAULFUNKTION is specialized in the production of small and medium size series. We want to give small companies in the vehicle building industry access to products, services and PRICES that are common in the high volume OEM markets.

We know, that small manufacturers in the vehicle building are doing a wonderful job; innovative and flexible. We want to support this type of company.

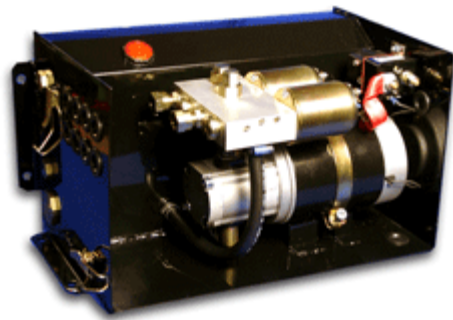
If you have any ideas, questions or problems, please don't hesitate to contact HYDRAULFUNKTION AB.

HYDRAULFUNKTION AB
Kungsgatan 67
S-341 32 Ljungby
hf@hydraulfunktion.se
Tel.: +46(0)372-15840
Fax.: +46(0)372-15843

Other HF products

HYDRAULFUNKTION is manufacturing dc hydraulic power pack and hydraulic components. This includes 3 main product groups

dc box power packs



dc compact power packs



Dc motor-pump units





Impress

General:

This catalogue has been written with greatest concerns. Still it can contain errors and mistakes. For errors and mistakes the author can nor be made legally liable.

Layout and content: Hydraulfunktion GmbH

Version: 10.0606

Publishing date: 06. June. 2010

HF
power packs

For mobile hydraulics

Contact

Hydraulfunktion AB **Production / Supplier**

Kungsgatan 67
(S) 341 32 Ljungby
Sweden

Tel: +46 (0)372 - 15840

Fax: +46 (0)372 - 15843

Email: hf@hydraulfunktion.se